

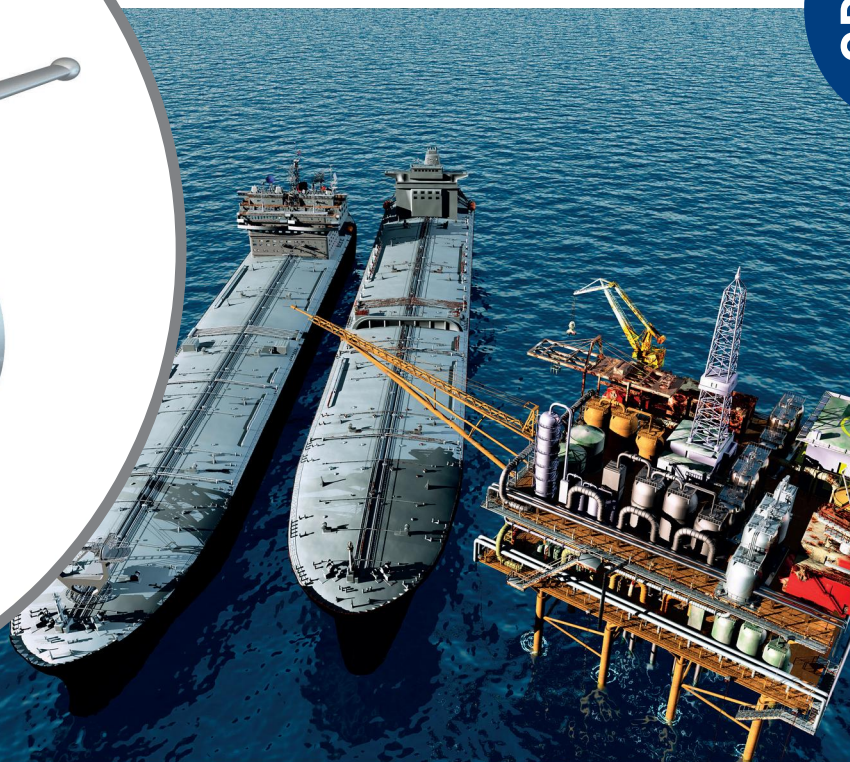
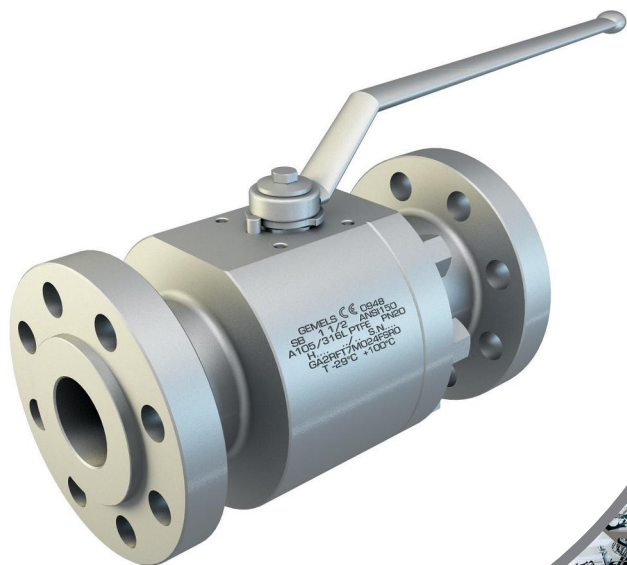
石油天然气



+ SBF

二通高压浮动/固定球阀

API-6D ANSI规范管道阀门



SBF

技术规格说明（碳钢）

类型:球阀SBF ANSI B16.5
 阀体:圆形
 材料:A105/F316
 通径: DN13 - DN150
 O型环: NBR(丁晴橡胶).FKM(氟橡胶)
 EPDM(三元乙丙橡胶).MVQ(硅橡胶)
 压力: 20Bar-50Bar
 100Bar-150Bar-250Bar-420Bar
 消防安全 BS 6755
 防静电设备

(根据密封材料的选择)

SBF ANSI600 DN50 2" FB A105 316L PTFE NBR RF

类型	阀门压力 (psi)	球体通径	英寸	FB	阀体材料	阀杆材料	球座材料	接头阀杆密封材料	法兰式
方式		DN 13	1/2	小法兰					
SBF	ANSI B16.5	DN 20	3/4	大法兰	A105 1,0570	F51 1,4462	A POM	B NBR	RF
一端	ANSI2500	DN 25	1				D PEEK	E FKM	RTJ
分体式	ANSI1500	DN 32	1 1/4				G PA612	F EPDM	BW
	ANSI900	DN 40	1 1/2				K GEMPTFE	L MVQ	FF
	ANSI600	DN 50	2				C PTFE		
	ANSI300	DN 65	2 1/2						
	ANSI300	DN 80	3						
	ANSI150	DN 100	4						
		DN 150	6						

技术规格说明（碳钢）

类型:球阀SBF ANSI B16.5
 阀体:圆形
 材料:F316/F51
 通径: DN13 - DN150
 O型环: NBR(丁晴橡胶).FKM(氟橡胶)
 EPDM(三元乙丙橡胶).MVQ(硅橡胶)
 压力: 20Bar-50Bar
 100Bar-150Bar-250Bar-420Bar
 消防安全 BS 6755
 防静电设备

(根据密封材料的选择)

SBF ANSI600 DN50 2" FB 316L F51 PTFE NBR RF

类型	阀门压力 (psi)	球体通径	英寸	FB	阀体材料	阀杆材料	球座材料	接头阀杆密封材料	法兰式
方式		DN 13	1/2	小法兰					
SBF	ANSI B16.5	DN 20	3/4	大法兰	316L 1,4404	F51 1,4462	A POM	B NBR	RF
一端	ANSI2500	DN 25	1				D PEEK	E FKM	RTJ
分体式	ANSI1500	DN 32	1 1/4				G PA612	F EPDM	BW
	ANSI900	DN 40	1 1/2				K GEMPTFE	L MVQ	FF
	ANSI600	DN 50	2				C PTFE		
	ANSI300	DN 65	2 1/2						
	ANSI300	DN 80	3						
	ANSI150	DN 100	4						
		DN 150	6						

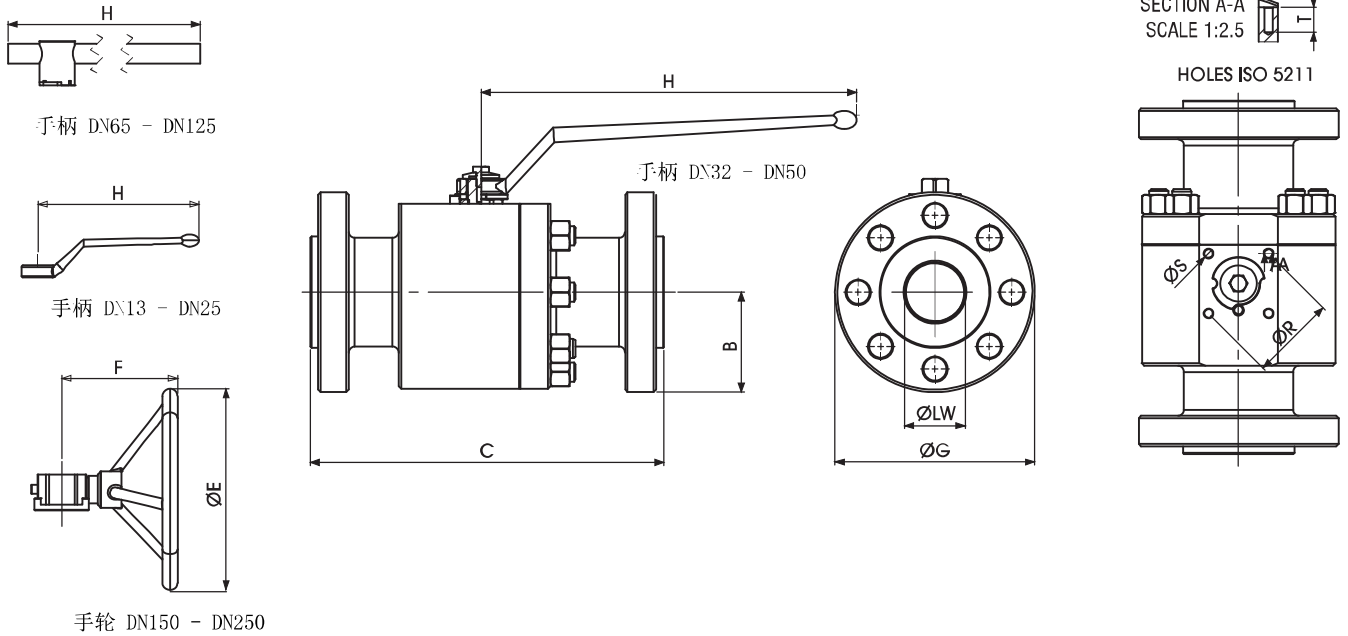
石油天然气

+ SBF150

API-6D ANSI 规范管道阀门

二通高压浮动/固定球阀

球阀专家



分体全通径 **ANSI150 PN20**

组件	材料	温度范围	规定
阀体和法兰	A105 ASTM A105	-20°+60°	API-6D ANSI订购规范管道阀门
	316L ASTM A276	-60°+230°	APT 598阀的检验规范测试
	LF2 ASTM A350	-40°+100°	ANSI B. 16. 34钢阀门法兰和阀体对焊结束
阀杆	316L ASTM A276	-60°+230°	ANSI B16. 5钢管法兰和dittings法兰
球	316L ASTM A276	-60°+230	端面到端面维度的亚铁阀门尺寸
阀杆密封	PTFE	-220°+230°	美国材料试验学会ASTM
	GRAPHITE		BS 6755测试的阀门
球的座位	POM	-30°+100	NACE MR- 01 - 75压力cra 盛泰耐mettallic材料
	PTFE	-220°+230°	石油行业设备
	PEEK	-50°+250°	UNI EN ISO 9001质量体系
	PA612	-45°+145	DIN / ISO 5211
	METAL	-60°+230	
法兰密封	PTFE	-220°+230°	
	GRAPHITE	-	
O形环	NBR	-40°+150°	
	VITON	-30°+100°	
	MFQ	-50°+150°	
螺栓	ASTM A193 B8	-20° +100°	
螺母	ASTM A194 H2	-20° +100°	

+ SBF150

API-6D ANSI 规范管道阀门

二通高压浮动/固定球阀

www.gemels.cn

SBF 150 FB

标准

碳 钢

不 锈 钢

类型	PN	DN	INCH	B	C RF	C RTJ	ØG	ØE	F	H	ØLW	ØR	ØS	T	ISO5211	项目代码 RF	项目代码 RJ	项目代码 RF	项目代码 RJ
SBF150	2 Mpa	13	1/2	44,5	108	119	89	-	-	110	13	36	M5	12	F03	GA2RFT3M029F000	GA2RJT3M029F000	GA2RFT3M049F000	GA2RJT3M049F000
SBF150	2 Mpa	20	3/4	49,25	117	130	98,5	-	-	120	20	50	M5	12	F03	GA2RFT4M029F000	GA2RJT4M029F000	GA2RFT4M049F000	GA2RJT4M049F000
SBF150	2 Mpa	25	1	54	127	140	108	-	-	120	25	50	M6	15	F05	GA2RFT5M029F000	GA2RJT5M029F000	GA2RFT5M049F000	GA2RJT5M049F000
SBF150	2 Mpa	32	1 1/4	58,75	140	153	117,5	-	-	300	32	50	M6	15	F05	GA2RFT6M029F000	GA2RJT6M029F000	GA2RFT6M024F000	GA2RJT6M049F000
SBF150	2 Mpa	40	1 1/2	63,5	165	178	127	-	-	300	40	70	M8	15	F05	GA2RFT7M029F000	GA2RJT7M029F000	GA2RFT7M024F000	GA2RJT7M049F000
SBF150	2 Mpa	50	2	76,25	178	191	152,5	-	-	300	49	70	M8	15	F05	GA2RFT8M029F000	GA2RJT8M029F000	GA2RFT8M024F000	GA2RJT8M049F000
SBF150	2 Mpa	65	2 1/2	89	191	203	178	-	-	600	63	102	M10	15	F10	GA2RFT9M029F000	GA2RJT9M029F000	GA2RFT9M024F000	GA2RJT9M049F000
SBF150	2 Mpa	80	3	95,25	203	216	190,5	-	-	600	74	102	M10	15	F10	GA2RFTAM029F000	GA2RJTAM029F000	GA2RFTAM049F000	GA2RJTAM049F000
SBF150	2 Mpa	100	4	114,5	229	242	229	-	-	600	100	102	M10	15	F10	GA2RFTBM029F000	GA2RJTBM029F000	GA2RFTBM049F000	GA2RJTBM049F000
SBF150	2 Mpa	150	6	139,8	394	407	279,5	300	180	-	150	125	M12	17	F12	GA2RFTDM029F000	GA2RJTDM029F000	GA2RFTDM049F000	GA2RJTDM049F000

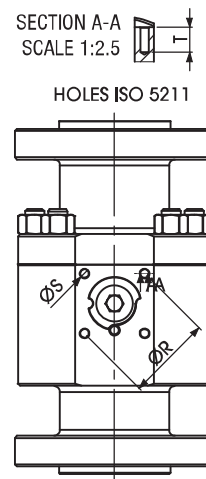
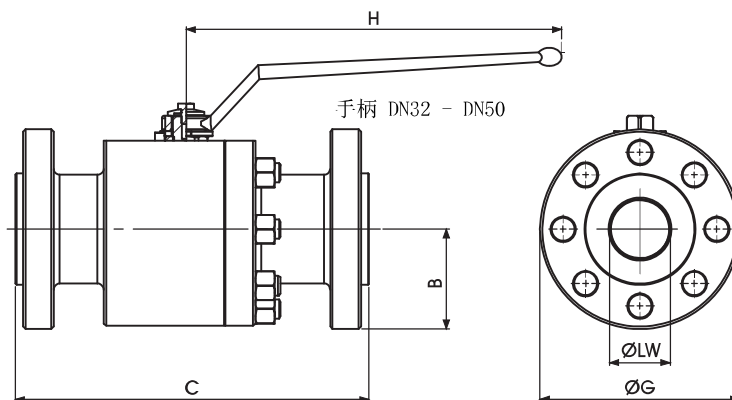
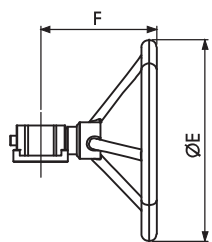
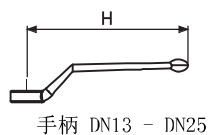
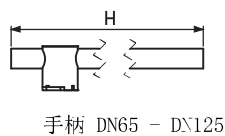
SBF 150 RB

标准

碳 钢

不 锈 钢

类型	PN	DN	INCH	B	C RF	C RTJ	ØG	ØE	F	H	ØLW	ØR	ØS	T	ISO5211	项目代码 RF	项目代码 RJ	项目代码 RF	项目代码 RJ
SBF150	2 Mpa	13	3/4x1/2	49,25	117	130	98,5	-	-	120	13	50	M5	12	F03	GA2RFR4M029F000	GA2RJR4M029F000	GA2RFR4M049F000	GA2RJR4M049F000
SBF150	2 Mpa	20	1x3/4	54	127	140	108	-	-	120	20	50	M6	15	F05	GA2RFR5M029F000	GA2RJR5M029F000	GA2RFR5M049F000	GA2RJR5M049F000
SBF150	2 Mpa	25	1 1/4x1	58,75	140	153	117,5	-	-	300	25	50	M6	15	F05	GA2RFR6M029F000	GA2RJR6M029F000	GA2RFR6M049F000	GA2RJR6M049F000
SBF150	2 Mpa	32	1 1/2x1 1/4	63,5	165	178	127	-	-	300	32	70	M8	15	F05	GA2RFR7M029F000	GA2RJR7M029F000	GA2RFR7M049F000	GA2RJR7M049F000
SBF150	2 Mpa	40	2x1 1/2	76,25	178	191	152,5	-	-	300	40	70	M8	15	F05	GA2RFR8M029F000	GA2RJR8M029F000	GA2RFR8M049F000	GA2RJR8M049F000
SBF150	2 Mpa	50	2 1/2x2	89	191	203	178	-	-	600	49	102	M10	15	F10	GA2RFR9M029F000	GA2RJR9M029F000	GA2RFR9M049F000	GA2RJR9M049F000
SBF150	2 Mpa	65	3x2 1/2	95,25	203	216	190,5	-	-	600	63	102	M10	15	F10	GA2RFRAM029F000	GA2RJRAM029F000	GA2RFRAM049F000	GA2RJRAM049F000
SBF150	2 Mpa	80	4x3	114,5	229	242	229	-	-	600	74	102	M10	15	F10	GA2RFRBM029F000	GA2RJRBM029F000	GA2RFRBM049F000	GA2RJRBM049F000
SBF150	2 Mpa	100	6x4	139,8	394	407	279,5	300	180	-	100	125	M12	17	F12	GA2RFRDM029F000	GA2RJRDM029F000	GA2RFRDM049F000	GA2RJRDM049F000
SBF150	2 Mpa	150	8x6	171,5	457	470	343	300	180	-	150	125	M12	17	F12	GA2RFRREM029F000	GA2RJREM029F000	GA2RFRREM049F000	GA2RJREM049F000



分体全通径 ANSI300 PN50

组件	材料	温度范围	规定
阀体和法兰	A105 ASTM A105	-20°+60°	API-6D ANSI订购规范管道阀门
	316L ASTM A276	-60°+230°	API 598阀的检验规范测试
	LF2 ASTM A350	-40°+100°	ANSI B. 16. 34钢阀门法兰和阀体对焊结束
阀杆	316L ASTM A276	-60°+230°	ANSI B16. 5钢管法兰和dttings法兰
球	316L ASTM A276	-60°+230	端面到端面维度的亚铁阀门尺寸
阀杆密封	PTFE	-220°+230°	美国材料试验学会ASTM
	GRAPHITE	-	BS 6755测试的阀门
球的座位	POM	-30°+100	NACE MR- 01 - 75压力cra 盛泰耐metallic材料
	PTFE	-220°+230°	石油行业设备
	PEEK	-50°+250°	UNI EN ISO 9001质量体系
	PA612	-45°+145	DIN / ISO 5211
	METAL	-60°+230	
法兰密封	PTFE	-220°+230°	
	GRAPHITE	-	
O形环	NBR	-40°+150°	
	VITON	-30°+100°	
	MFQ	-50°+150°	
螺栓	ASTM A193 B8	-20° +100°	
螺母	ASTM A194 H2	-20° +100°	

+ SBF300

API-6D ANSI 规范管道阀门

二通高压浮动/固定球阀

www.gemels.cn

SBF 300 FB

标准

类型	PN	DN	INCH	B	C RF	C RTJ	ØG	ØE	F	H	ØLW	ØR	ØS	T	ISO5211	碳 钢		不 锈 钢	
																项目代码 RF	项目代码 RJ	项目代码 RF	项目代码 RJ
SBF300	5 Mpa	13	1/2	47,6	140	151	95,2	-	-	110	13	36	M5	12	F03	GA2RFT3I029F000	GA2RJT3I029F000	GA2RFT3I049F000	GA2RJT3I049F000
SBF300	5 Mpa	20	3/4	58,75	152	165	117,5	-	-	120	20	50	M5	12	F03	GA2RFT4I029F000	GA2RJT4I029F000	GA2RFT4I049F000	GA2RJT4I049F000
SBF300	5 Mpa	25	1	62	165	178	123,8	-	-	120	25	50	M6	15	F05	GA2RFT5I029F000	GA2RJT5I029F000	GA2RFT5I049F000	GA2RJT5I049F000
SBF300	5 Mpa	32	1 1/4	66,15	178	191	133,3	-	-	300	32	50	M6	15	F05	GA2RFT6I029F000	GA2RJT6I029F000	GA2RFT6I049F000	GA2RJT6I049F000
SBF300	5 Mpa	40	1 1/2	77,8	191	203	155,6	-	-	300	40	70	M8	15	F05	GA2RFT7I029F000	GA2RJT7I029F000	GA2RFT7I049F000	GA2RJT7I049F000
SBF300	5 Mpa	50	2	82,55	216	232	165,1	-	-	300	49	70	M8	15	F05	GA2RFT8I029F000	GA2RJT8I029F000	GA2RFT8I049F000	GA2RJT8I049F000
SBF300	5 Mpa	65	2 1/2	95,25	241	257	190,5	-	-	600	63	102	M10	15	F10	GA2RFT9I029F000	GA2RJT9I029F000	GA2RFT9I049F000	GA2RJT9I049F000
SBF300	5 Mpa	80	3	104,75	283	299	209,5	-	-	600	74	102	M10	15	F10	GA2RFTA1029F000	GA2RJTA1029F000	GA2RFTA1049F000	GA2RJTA1049F000
SBF300	5 Mpa	100	4	127	305	321	254	-	-	600	100	102	M10	15	F10	GA2RFTB1029F000	GA2RJTBI029F000	GA2RFTB1049F000	GA2RJTBI049F000
SBF300	5 Mpa	150	6	158,8	403	419	317,5	300	180	-	150	125	M12	17	F12	GA2RFTD1029F000	GA2RJTD1029F000	GA2RFTD1049F000	GA2RJTD1049F000

SBF 300 RB

标准

类型	PN	DN	INCH	B	C RF	C RTJ	ØG	ØE	F	H	ØLW	ØR	ØS	T	ISO5211	碳 钢		不 锈 钢	
																项目代码 RF	项目代码 RJ	项目代码 RF	项目代码 RJ
SBF300	5 Mpa	13	3/4x1/2	58,75	152	165	117,5	-	-	120	13	50	M5	12	F03	GA2RFR4I029F000	GA2RJR4I029F000	GA2RFR4I049F000	GA2RJR4I049F000
SBF300	5 Mpa	20	1x3/4	62	165	178	123,8	-	-	120	20	50	M6	15	F05	GA2RFR5I029F000	GA2RJR5I029F000	GA2RFR5I049F000	GA2RJR5I049F000
SBF300	5 Mpa	25	1 1/4x1	66,15	178	191	133,3	-	-	300	25	50	M6	15	F05	GA2RFR6I029F000	GA2RJR6I029F000	GA2RFR6I049F000	GA2RJR6I049F000
SBF300	5 Mpa	32	1 1/2x1 1/4	77,8	191	203	155,6	-	-	300	32	70	M8	15	F05	GA2RFR7I029F000	GA2RJR7I029F000	GA2RFR7I049F000	GA2RJR7I049F000
SBF300	5 Mpa	40	2x1 1/2	82,55	216	232	165,1	-	-	300	40	70	M8	15	F05	GA2RFR8I029F000	GA2RJR8I029F000	GA2RFR8I049F000	GA2RJR8I049F000
SBF300	5 Mpa	50	2 1/2x2	95,25	241	257	190,5	-	-	600	49	102	M10	15	F10	GA2RFR9I029F000	GA2RJR9I029F000	GA2RFR9I049F000	GA2RJR9I049F000
SBF300	5 Mpa	65	3x2 1/2	104,75	283	299	209,5	-	-	600	63	102	M10	15	F10	GA2RFRAI029F000	GA2RJRAI029F000	GA2RFRAI049F000	GA2RJRAI049F000
SBF300	5 Mpa	80	4x3	127	305	321	254	-	-	600	74	102	M10	15	F10	GA2RFRBI029F000	GA2RJRBI029F000	GA2RFRBI049F000	GA2RJRBI049F000
SBF300	5 Mpa	100	6x4	158,8	403	419	317,5	300	180	-	100	125	M12	17	F12	GA2RFRDI029F000	GA2RJRDI029F000	GA2RFRDI049F000	GA2RJRDI049F000
SBF300	5 Mpa	150	8x6	190,5	502	518	381	300	180	-	150	125	M12	17	F12	GA2RFREI029F000	GA2RJREI029F000	GA2RFREI049F000	GA2RJREI049F000

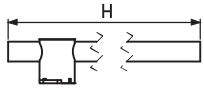
石油天然气

API-6D ANSI 规范管道阀门

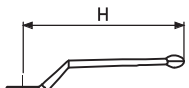
+ SBF600

二通高压浮动/固定球阀

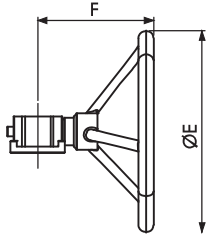
球阀专家



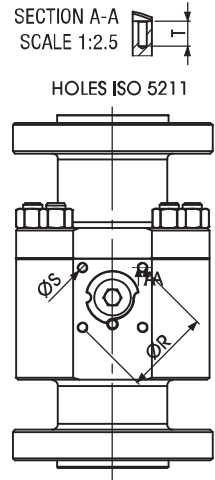
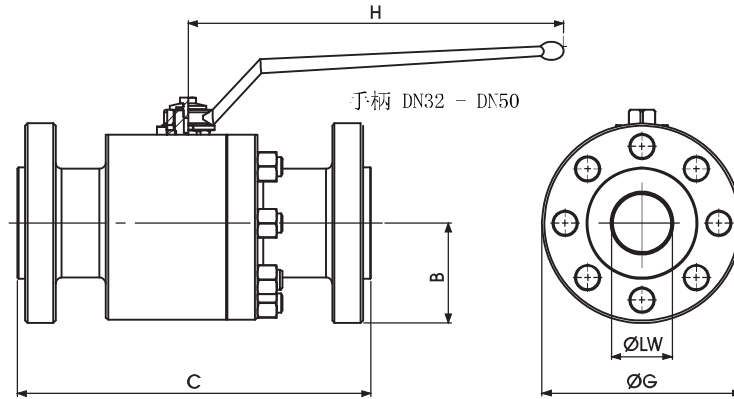
手柄 DN65 - DN125



手柄 DN13 - DN25



手轮 DN150 - DN250



分体全口径 ANSI600 PN100

组件	材料	温度范围	规定
阀体和法兰	A105 ASTM A105	-20°+60°	API-6D ANSI订购规范管道阀门
	316L ASTM A276	-60°+230°	API 598阀的检验规范测试
	LF2 ASTM A350	-40°+100°	ANSI B. 16. 34钢阀门法兰和阀体对焊结束
阀杆	316L ASTM A276	-60°+230°	ANSI B16. 5钢管法兰 和dttings法兰
	316L ASTM A276	-60°+230	端面到端面维度的亚铁阀门尺寸
阀杆密封	PTFE	-220°+230°	美国材料试验学会ASTM
	GRAPHITE	-	BS 6755测试的阀门
球的座位	POM	-30°+100	NACE MR- 01 - 75压力cra 盛泰耐mettallic材料
	PTFE	-220°+230°	石油行业设备
	PEEK	-50°+250°	UNI EN ISO 9001质量体系
	PA612	-45°+145	DIN / ISO 5211
	METAL	-60°+230	
法兰密封	PTFE	-220°+230°	
	GRAPHITE	-	
O形环	NBR	-40°+150°	
	VITON	-30°+100°	
	MFQ	-50°+150°	
螺栓	ASTM A193 B8	-20° +100°	
螺母	ASTM A194 H2	-20° +100°	

+ SBF600

API-6D ANSI 规范管道阀门

二通高压浮动/固定球阀

www.gemels.cn

SBF 600 FB

标准

碳 钢

不 锈 钢

类型	PN	DN	INCH	B	C RF	C RTJ	ØG	ØE	F	H	ØLW	ØR	ØS	T	ISO5211	项目代码 RF	项目代码 RJ	项目代码 RF	项目代码 RJ
SBF600	10 Mpa	13	1/2	47,6	165	163,5	95,25	-	-	110	13	36	M5	12	F03	GA2RFT31029F000	GA2RJT31029F000	GA2RFT31049F000	GA2RJT31049F000
SBF600	10 Mpa	20	3/4	58,75	190	190,5	117,5	-	-	120	20	50	M5	12	F03	GA2RFT41029F000	GA2RJT41029F000	GA2RFT41049F000	GA2RJT41049F000
SBF600	10 Mpa	25	1	62	216	216	124	-	-	120	25	50	M6	15	F05	GA2RFT51029F000	GA2RJT51029F000	GA2RFT51049F000	GA2RJT51049F000
SBF600	10 Mpa	32	1 1/4	66,75	228,5	228,5	133,5	-	-	300	32	50	M6	15	F05	GA2RFT61029F000	GA2RJT61029F000	GA2RFT61049F000	GA2RJT61049F000
SBF600	10 Mpa	40	1 1/2	77,75	241	241	155,5	-	-	300	40	70	M8	15	F05	GA2RFT71029F000	GA2RJT71029F000	GA2RFT71049F000	GA2RJT71049F000
SBF600	10 Mpa	50	2	82,5	292	295,3	165	-	-	300	49	70	M8	15	F05	GA2RFT81029F000	GA2RJT81029F000	GA2RFT81049F000	GA2RJT81049F000
SBF600	10 Mpa	65	2 1/2	95,25	330	333	190,5	-	-	600	63	102	M10	15	F10	GA2RFT91029F000	GA2RJT91029F000	GA2RFT91049F000	GA2RJT91049F000
SBF600	10 Mpa	80	3	104,75	356	359	209,5	-	-	600	74	102	M10	15	F10	GA2RFTA1029F000	GA2RJTA1029F000	GA2RFTA1049F000	GA2RJTA1049F000
SBF600	10 Mpa	100	4	136,5	432	435	273	-	-	600	100	102	M10	15	F10	GA2RFTB1029F000	GA2RJT81029F000	GA2RFTB1049F000	GA2RJT81049F000
SBF600	10 Mpa	150	6	177,5	559	562	355,5	300	180	-	150	125	M12	17	F12	GA2RFTD1029F000	GA2RJT01029F000	GA2RFTD1049F000	GA2RJT01049F000

SBF 600 RB

标准

碳 钢

不 锈 钢

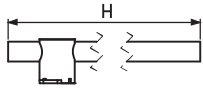
类型	PN	DN	INCH	B	C RF	C RTJ	ØG	ØE	F	H	ØLW	ØR	ØS	T	ISO5211	项目代码 RF	项目代码 RJ	项目代码 RF	项目代码 RJ
SBF600	10 Mpa	13	3/4x1/2	58,75	190	190,5	117,5	-	-	120	13	50	M5	12	F03	GA2RFR41029F000	GA2RJR41029F000	GA2RFR41049F000	GA2RJR41049F000
SBF600	10 Mpa	20	1x3/4	62	216	216	124	-	-	120	20	50	M6	15	F05	GA2RFR51029F000	GA2RJR51029F000	GA2RFR51049F000	GA2RJR51049F000
SBF600	10 Mpa	25	1 1/4x1	66,75	228,5	228,5	133,5	-	-	300	25	50	M6	15	F05	GA2RFR61029F000	GA2RJR61029F000	GA2RFR61049F000	GA2RJR61049F000
SBF600	10 Mpa	32	1 1/2x1 1/4	77,75	241	241	155,5	-	-	300	32	70	M8	15	F05	GA2RFR71029F000	GA2RJR71029F000	GA2RFR71049F000	GA2RJR71049F000
SBF600	10 Mpa	40	2x1 1/2	82,5	292	295,3	165	-	-	300	40	70	M8	15	F05	GA2RFR81029F000	GA2RJR81029F000	GA2RFR81049F000	GA2RJR81049F000
SBF600	10 Mpa	50	2 1/2x2	95,25	330	333	190,5	-	-	600	49	102	M10	15	F10	GA2RFR91029F000	GA2RJR91029F000	GA2RFR91049F000	GA2RJR91049F000
SBF600	10 Mpa	65	3x2 1/2	104,75	356	359	209,5	-	-	600	63	102	M10	15	F10	GA2RFR1029F000	GA2RJR1029F000	GA2RFR1049F000	GA2RJR1049F000
SBF600	10 Mpa	80	4x3	136,5	432	435	273	-	-	600	74	102	M10	15	F10	GA2RFRB1029F000	GA2RJR81029F000	GA2RFRB1049F000	GA2RJR81049F000
SBF600	10 Mpa	100	6x4	177,5	559	562	355,5	300	180	-	100	125	M12	17	F12	GA2RFRD1029F000	GA2RJR01029F000	GA2RFRD1049F000	GA2RJR01049F000
SBF600	10 Mpa	150	8x6	209,5	660	663	419	300	180	-	150	125	M12	17	F12	GA2RFRE1029F000	GA2RJRE1029F000	GA2RFRE1049F000	GA2RJRE1049F000

石油天然气

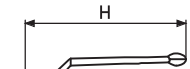
+ SBF900

API-6D ANSI 规范管道阀门
二通高压浮动/固定球阀

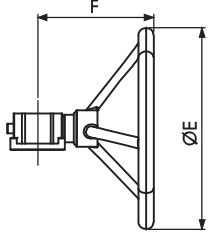
球阀专家



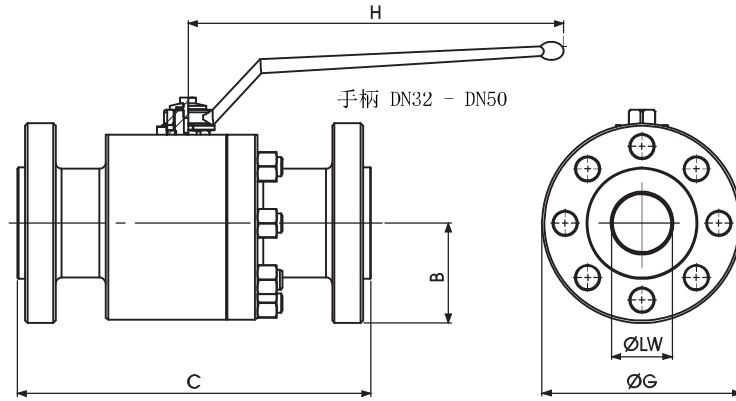
手柄 DN65 - DN125



手柄 DN13 - DN25

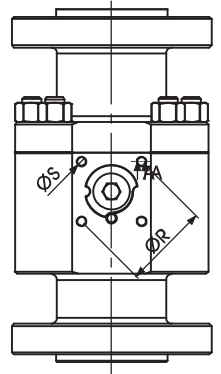


手轮 DN150 - DN250



SECTION A-A
SCALE 1:2.5

HOLES ISO 5211



分体全通径 **ANSI900 PN150**

组件	材料	温度范围	规定
阀体和法兰	A105 ASTM A105	-20°+60°	API-6D ANSI订购规范管道阀门
	316L ASTM A276	-60°+230°	API 598阀的检验规范测试
	LF2 ASTM A350	-40°+100°	ANSI B. 16. 34钢阀门法兰和阀体对焊结束
阀杆	316L ASTM A276	-60°+230°	ANSI B16. 5钢管法兰 和dttings法兰
	316L ASTM A276	-60°+230	端面到端面维度的亚铁阀门尺寸
阀杆密封	PTFE	-220°+230°	美国材料试验学会ASTM
	GRAPHITE	-	BS 6755测试的阀门
球的座位	316L ASTM A276	-60°+230°	NACE MR- 01 - 75压力cra 盛泰耐mettalic材料
	PTFE	-220°+230°	石油行业设备
	PEEK	-50°+250°	UNI EN ISO 9001质量体系
	PA612	-45°+145	DIN / ISO 5211
	METAL	-60°+230	
法兰密封	PTFE	-220°+230°	
	GRAPHITE	-	
O形环	NBR	-40°+150°	
	VITON	-30°+100°	
	MFQ	-50°+150°	
螺栓	ASTM A193 B8	-20° +100°	
螺母	ASTM A194 H2	-20° +100°	

石油天然气



+ SBF900

API-6D ANSI 规范管道阀门

二通高压浮动/固定球阀

www.gemels.cn

SBF 900 FB

标准

碳 钢

不 锈 钢

类型	PN	DN	INCH	B	C RF	C RTJ	ØG	ØE	F	H	ØLW	ØR	ØS	T	ISO5211	项目代码 RF	项目代码 RJ	项目代码 RF	项目代码 RJ
使用1500在这些大小尺寸																			
SBF 900	15 Mpa	80	3	120,5	381	384	241	-	-	600	74	102	M10	15	F10	GA2RFTAC029A000	GA2RJTAC029A000	GA2RFTAC049A000	GA2RJTAC049A000
SBF 900	15 Mpa	100	4	155,5	457	460	292	-	-	600	100	125	M12	17	F12	GA2RFTBC029A000	GA2RJTBC029A000	GA2RFTBC049A000	GA2RJTBC049A000
SBF 900	15 Mpa	150	6	190,5	610	613	381	300	180	-	150	125	M12	17	F12	GA2RFTDC029A000	GA2RJTDC029A000	GA2RFTDC049A000	GA2RJTDC049A000

SBF 900 RB

标准

碳 钢

不 锈 钢

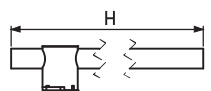
类型	PN	DN	INCH	B	C RF	C RTJ	ØG	ØE	F	H	ØLW	ØR	ØS	T	ISO5211	项目代码 RF	项目代码 RJ	项目代码 RF	项目代码 RJ
使用1500在这些大小尺寸																			
SBF 900	15 Mpa	80	4x3	146	457	460	292	-	-	600	80	125	M12	17	F12	GA2RFRBC029A000	GA2RJRBC029A000	GA2RFRBC049A000	GA2RJRBC049A000
SBF 900	15 Mpa	100	6x4	190,5	610	613	381	300	180	-	100	125	M12	17	F12	GA2RFRDC029A000	GA2RJRDC029A000	GA2RFRDC049A000	GA2RJRDC049A000
SBF 900	15 Mpa	150	8x6	235	737	740	470	300	180	-	150	125	M12	17	F12	GA2RFREC029A000	GA2RJREC029A000	GA2RFREC049A000	GA2RJREC049A000

石油天然气 + SBF1500

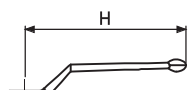
API-6D ANSI 规范管道阀门

二通高压浮动/固定球阀

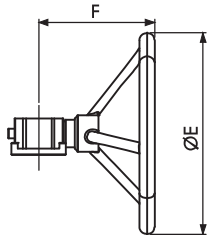
球阀专家



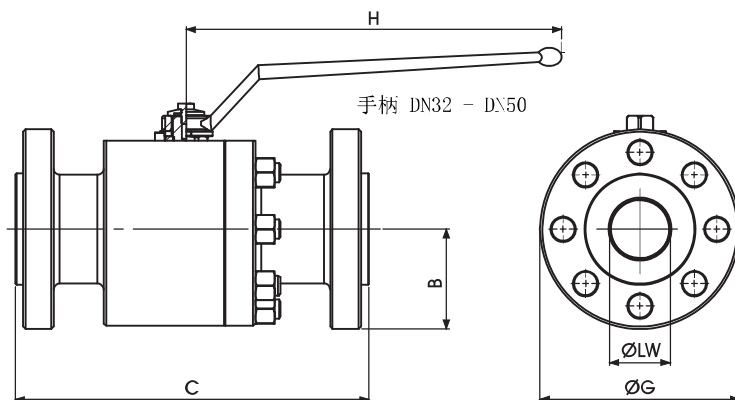
手柄 DN65 - DN125



手柄 DN13 - DN25

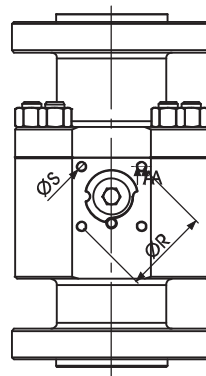


手轮 DN150 - DN250



SECTION A-A
SCALE 1:2.5

HOLES ISO 5211



分体全通径 ANSI1500 PN250

组件	材料	温度范围	规定
阀体和法兰	A105 ASTM A105	-20°+60°	API-6D ANST订购规范管道阀门
	316L ASTM A276	-60°+230°	API 598阀的检验规范测试
	LF2 ASTM A350	-40°+100°	ANSI B. 16. 34钢阀门法兰和阀体对焊结束
阀杆	316L ASTM A276	-60°+230°	ANSI B16. 5钢管法兰 和dttings法兰
	316L ASTM A276	-60°+230°	端面到端面维度的亚铁阀门尺寸
阀杆密封	PTFE	-220°+230°	美国材料试验学会ASTM
	GRAPHITE	-	BS 6755测试的阀门
球的座位	POM	-30°+100°	NACE MR- 01 - 75压力cra 盛泰耐mettallic材料
	PTFE	-220°+230°	石油行业设备
	PEEK	-50°+250°	UNI EN ISO 9001质量体系
	PA612	-45°+145°	DIN / ISO 5211
	METAL	-60°+230	
法兰密封	PTFE	-220°+230°	
	GRAPHITE	-	
O形环	NBR	-40°+150°	
	VITON	-30°+100°	
	MFQ	-50°+150°	
螺栓	ASTM A193 B8	-20° +100°	
螺母	ASTM A194 H2	-20° +100°	

+ SBF1500

API-6D ANSI 规范管道阀门

SBF 1500 FB

															碳 钢				
	PN	DN	INCH	B	C RF	C RTJ	ØG	ØE	F	H	ØLW	ØR	ØS	T	ISO5211				
SBF 1500	25 Mpa	13	1/2	60,5	229	229	121	-	-	110	13	36	M5	15	F03	GA2RFT32029A000	GA2RJT32029A000	GA2RFT32049A000	GA2RJT32049A000
SBF 1500	25 Mpa	20	3/4	65	254	254	130	-	-	120	19	50	M6	15	F05	GA2RFT42029A000	GA2RJT32029A000	GA2RFT42049A000	GA2RJT32049A000
SBF 1500	25 Mpa	25	1	74,5	279	279	149	-	-	120	25	50	M6	15	F05	GA2RFT52029A000	GA2RJT52029A000	GA2RFT52049A000	GA2RJT52049A000
SBF 1500	25 Mpa	32	1 1/4	79,5	292	292	159	-	-	300	32	70	M8	15	F07	GA2RFT62029A000	GA2RJT62029A000	GA2RFT62049A000	GA2RJT62049A000
SBF 1500	25 Mpa	40	1 1/2	89	305	305	178	-	-	300	38	70	M8	15	F07	GA2RFT72029A000	GA2RJT72029A000	GA2RFT72049A000	GA2RJT72049A000
SBF 1500	25 Mpa	50	2	108	368	371	216	-	-	300	49	102	M10	15	F10	GA2RFT82029A000	GA2RJT82029A000	GA2RFT82049A000	GA2RJT82049A000
SBF 1500	25 Mpa	65	2 1/2	122	419	422	244	-	-	600	62	102	M10	15	F10	GA2RFT92029A000	GA2RJT92029A000	GA2RFT92049A000	GA2RJT92049A000
SBF 1500	25 Mpa	80	3	133,5	470	473	267	-	-	600	74	102	M10	15	F10	GA2RFTA2029A000	GA2RJTA2029A000	GA2RFTA2049A000	GA2RJTA2049A000
SBF 1500	25 Mpa	100	4	155,5	546	549	311	-	-	600	100	125	M12	17	F12	GA2RFTB2029A000	GA2RJT82029A000	GA2RFTB2049A000	GA2RJT82049A000
SBF 1500	25 Mpa	150	6	197	705	711	394	300	180	-	144	125	M12	17	F12	GA2RFTD2029A000	GA2RJTD2029A000	GA2RFTD2049A000	GA2RJTD2049A000

SBF 1500 RB

标准

															碳 钢				
	PN	DN	INCH	B	C RF	C RTJ	ØG	ØE	F	H	ØLW	ØR	ØS	T	ISO5211	项目代码 RF	项目代码 RJ	项目代码 RF	项目代码 RJ
SBF 1500	25 Mpa	13	3/4x1/2	65	254	254	130	-	-	120	13	50	M6	15	F05	GA2RFR42029A000	GA2RJR42029A000	GA2RFR42049A000	GA2RJR42049A000
SBF 1500	25 Mpa	20	1x3/4	74,5	279	279	149	-	-	120	19	50	M6	15	F05	GA2RFR52029A000	GA2RJR52029A000	GA2RFR52049A000	GA2RJR52049A000
SBF 1500	25 Mpa	25	1 1/4x1	79,5	292	292	159	-	-	300	25	50	M6	15	F05	GA2RFR62029A000	GA2RJR62029A000	GA2RFR62049A000	GA2RJR62049A000
SBF 1500	25 Mpa	32	1 1/2x1 1/4	89	305	305	178	-	-	300	32	70	M8	15	F07	GA2RFR72029A000	GA2RJR72029A000	GA2RFR72049A000	GA2RJR72049A000
SBF 1500	25 Mpa	40	2x1 1/2	108	368	371	216	-	-	300	38	70	M8	15	F07	GA2RFR82029A000	GA2RJR82029A000	GA2RFR82049A000	GA2RJR82049A000
SBF 1500	25 Mpa	50	2 1/2x2	122	419	422	244	-	-	600	49	102	M10	15	F10	GA2RFR92029A000	GA2RJR92029A000	GA2RFR92049A000	GA2RJR92049A000
SBF 1500	25 Mpa	65	3x2 1/2	133,5	470	473	267	-	-	600	62	102	M10	15	F10	GA2RFR102029A000	GA2RJR102029A000	GA2RFR102049A000	GA2RJR102049A000
SBF 1500	25 Mpa	80	4x3	155,5	546	549	311	-	-	600	74	102	M10	15	F10	GA2RFRB2029A000	GA2RJR82029A000	GA2RFRB2049A000	GA2RJR82049A000
SBF 1500	25 Mpa	100	6x4	197	705	711	394	300	180	-	100	125	M12	17	F12	GA2RFRD2029A000	GA2RJR82029A000	GA2RFRD2049A000	GA2RJR82049A000
SBF 1500	25 Mpa	150	8x6	241,5	832	841	483	300	180	-	144	125	M12	17	F12	GA2RFRE2029A000	GA2RJRE2029A000	GA2RFRE2049A000	GA2RJRE2049A000

+ SBF2500

API-6D ANSI 规范管道阀门

二通高压浮动/固定球阀

www.gemels.cn

SBF 2500 FB

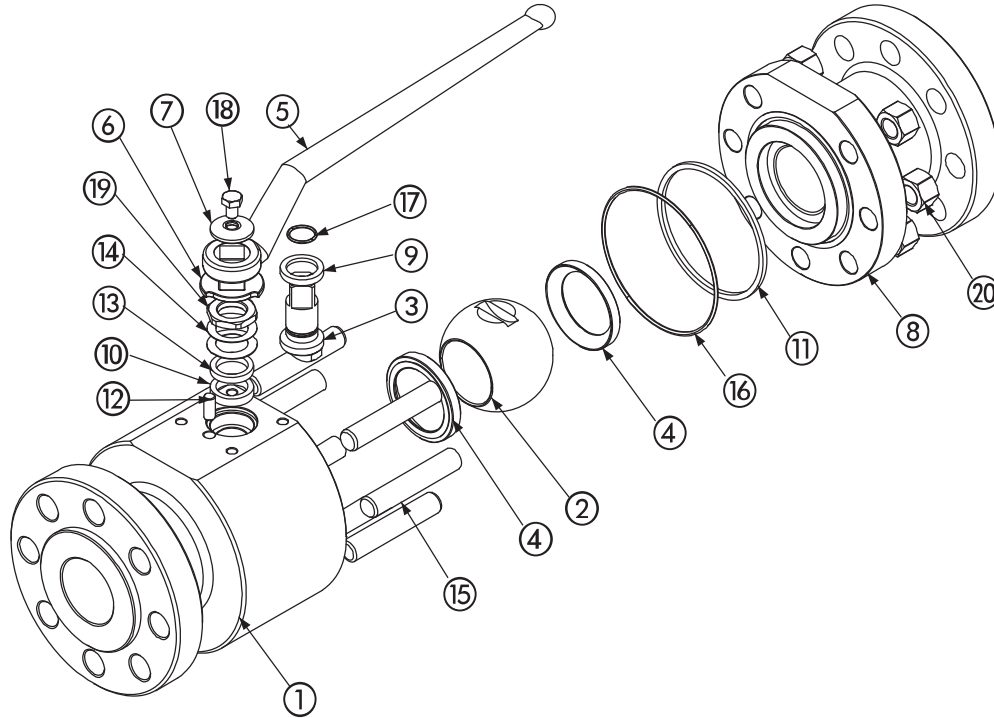
标准

类型	PN	DN	INCH	B	C RF	C RTJ	ØG	ØE	F	H	ØLW	R	S	T	ISO5211	碳 钢		不 锈 钢	
																项目代码 RF	项目代码 RJ	项目代码 RF	项目代码 RJ
SBF 2500	42 Mpa	13	1/2	66,5	264	264	133	-	-	110	13	36	M5	15	F03	GA2RFT3G029A000	GA2RJT3G029A000	GA2RFT3G049A000	GA2RJT3G049A000
SBF 2500	42 Mpa	20	3/4	70	273	273	140	-	-	120	19	50	M6	15	F05	GA2RFT4G029A000	GA2RJT4G029A000	GA2RFT4G049A000	GA2RJT4G049A000
SBF 2500	42 Mpa	25	1	79,5	308	308	159	-	-	120	25	50	M6	15	F05	GA2RFT5G029A000	GA2RJT5G029A000	GA2RFT5G049A000	GA2RJT5G049A000
SBF 2500	42 Mpa	32	1 1/4	92	356	356	184	-	-	300	32	70	M8	15	F07	GA2RFT6G029A000	GA2RJT6G029A000	GA2RFT6G049A000	GA2RJT6G049A000
SBF 2500	42 Mpa	40	1 1/2	101,5	387	387	203	-	-	300	38	70	M8	15	F07	GA2RFT7G029A000	GA2RJT7G029A000	GA2RFT7G049A000	GA2RJT7G049A000
SBF 2500	42 Mpa	50	2	117,5	451	454	235	-	-	300	42	102	M10	15	F10	GA2RFT8G029A000	GA2RJT8G029A000	GA2RFT8G049A000	GA2RJT8G049A000
SBF 2500	42 Mpa	65	2 1/2	133,5	508	511	267	-	-	600	52	102	M10	15	F10	GA2RFT9G029A000	GA2RJT9G029A000	GA2RFT9G049A000	GA2RJT9G049A000
SBF 2500	42 Mpa	80	3	152,5	578	584	305	-	-	600	62	102	M10	15	F10	GA2RFTA029A000	GA2RJTAG029A000	GA2RFTA049A000	GA2RJTAG049A000
SBF 2500	42 Mpa	100	4	178	673	683	356	-	-	600	87	125	M12	17	F12	GA2RFTB029A000	GA2RJTBO29A000	GA2RFTB049A000	GA2RJTBO49A000
SBF 2500	42 Mpa	150	6	241,5	914	927	483	300	180	-	131	125	M12	17	F12	GA2RFTD029A000	GA2RJTDO29A000	GA2RFTD049A000	GA2RJTDO49A000
SBF 2500	42 Mpa	200	8	275	1022	1038	550	300	180	-	179	125	M12	17	F12	GA2RFTG029A000	GA2RJTGO29A000	GA2RFTG049A000	GA2RJTGO49A000
SBF 2500	42 Mpa	250	10	337,5	1270	1292	675	300	180	-	223	125	M12	17	F12	GA2RFTF029A000	GA2RJTFO29A000	GA2RFTF049A000	GA2RJTFO49A000

SBF 2500 RB

标准

类型	PN	DN	INCH	B	C RF	C RTJ	ØG	ØE	F	H	ØLW	R	S	T	ISO5211	碳 钢		不 锈 钢	
																项目代码 RF	项目代码 RJ	项目代码 RF	项目代码 RJ
SBF 2500	42 Mpa	13	3/4x1/2	70	273	273	140	-	-	120	13	50	M6	15	F05	GA2RFR4G029A000	GA2RJR3G029A000	GA2RFR4G049A000	GA2RJR3G049A000
SBF 2500	42 Mpa	20	1x3/4	79,5	308	308	159	-	-	120	19	50	M6	15	F05	GA2RFR5G029A000	GA2RJR5G029A000	GA2RFR5G049A000	GA2RJR5G049A000
SBF 2500	42 Mpa	25	1 1/4x1	92	356	356	184	-	-	300	25	70	M8	15	F07	GA2RFR6G029A000	GA2RJR6G029A000	GA2RFR6G049A000	GA2RJR6G049A000
SBF 2500	42 Mpa	32	1 1/2x1 1/4	101,5	387	387	203	-	-	300	32	70	M8	15	F07	GA2RFR7G029A000	GA2RJR7G029A000	GA2RFR7G049A000	GA2RJR7G049A000
SBF 2500	42 Mpa	40	2x1 1/2	117,5	451	454	235	-	-	300	38	102	M10	15	F10	GA2RFR8G029A000	GA2RJR8G029A000	GA2RFR8G049A000	GA2RJR8G049A000
SBF 2500	42 Mpa	50	2 1/2x2	133,5	508	511	267	-	-	600	42	102	M10	15	F10	GA2RFR9G029A000	GA2RJR9G029A000	GA2RFR9G049A000	GA2RJR9G049A000
SBF 2500	42 Mpa	65	3x2 1/2	152,5	578	584	305	-	-	600	52	102	M10	15	F10	GA2RFRAG029A000	GA2RJRAG029A000	GA2RFRAG049A000	GA2RJRAG049A000
SBF 2500	42 Mpa	80	4x3	178	673	683	356	-	-	600	62	125	M12	17	F12	GA2RFRB029A000	GA2RJRBO29A000	GA2RFRB049A000	GA2RJRBO49A000
SBF 2500	42 Mpa	100	6x4	241,5	914	927	483	300	180	-	87	125	M12	17	F12	GA2RFRD029A000	GA2RJRDO29A000	GA2RFRD049A000	GA2RJRDO49A000
SBF 2500	42 Mpa	150	8x6	275	1022	1038	550	300	180	-	131	125	M12	17	F12	GA2RFRFG029A000	GA2RJRFG029A000	GA2RFRFG049A000	GA2RJRFG049A000
SBF 2500	42 Mpa	200	10x8	337,5	1270	1292	675	300	180	-	179	125	M12	17	F12	GA2RFRFG029A000	GA2RJRFG029A000	GA2RFRFG049A000	GA2RJRFG049A000



碳 钢

序号	名 称	材 料	数量
1	阀体	1.0570	1
2	球体	1,4462	1
3	阀杆	1,4462	1
4	球座	PTFE	2
5	手柄	1.0116	1
6	垫片	1.4301	1
7	垫片	1.4301	1
8	法兰	1.0570	1
9	阀杆	PTFE	1
10	环石墨	GRAPHITE	1
11	法兰环	GRAPHITE	1
12	止动销	1.4301	1
13	压环	1.4301	1
14	弹簧	1.4301	1
15	螺栓	ASTMA193 B7	8
16	法兰O形环	NBR	1
17	阀杆O形环	NBR	1
18	螺杆	DIN6921	1
19	螺母	1.4301	1
20	螺母	ASTMA194 Gr. H2	8

根据要求

降低孔

FKM o形环, 三元乙丙橡胶, HNBR KALREZ

在聚四氟乙烯密封, PEEK, PA612,

GEMPTFE, 金属对金属

压力类ANSI 150-300-600

900-1500-2500

气动和电气传动装置 锁紧装置

特殊要求请咨询
我们的技术/商业服务

不 锈 钢

序号	名 称	材 料	数量
1	阀体	1.4404	1
2	球体	1,4462	1
3	阀杆	1,4462	1
4	球座	PTFE	2
5	手柄	1.4301	1
6	垫片	1.4301	1
7	垫片	1.4301	1
8	法兰	1.4301	1
9	阀杆	PTFE	1
10	环石墨	GRAPHITE	1
11	法兰环	GRAPHITE	1
12	止动销	1.4301	1
13	压环	1.4301	1
14	弹簧	1.4301	1
15	螺栓	ASTMA193 B7	8
16	法兰O形环	NBR	1
17	阀杆O形环	NBR	1
18	螺杆	DIN6921	1
19	螺母	1.4301	1
20	螺母	ASTMA194 Gr. H2	8

根据要求

降低孔

FKM o形环, 三元乙丙橡胶, HNBR KALREZ

在聚四氟乙烯密封, PEEK, PA612,

GEMPTFE, 金属对金属

压力类ANSI 150-300-600

900-1500-2500

气动和电气传动装置 锁紧装置

